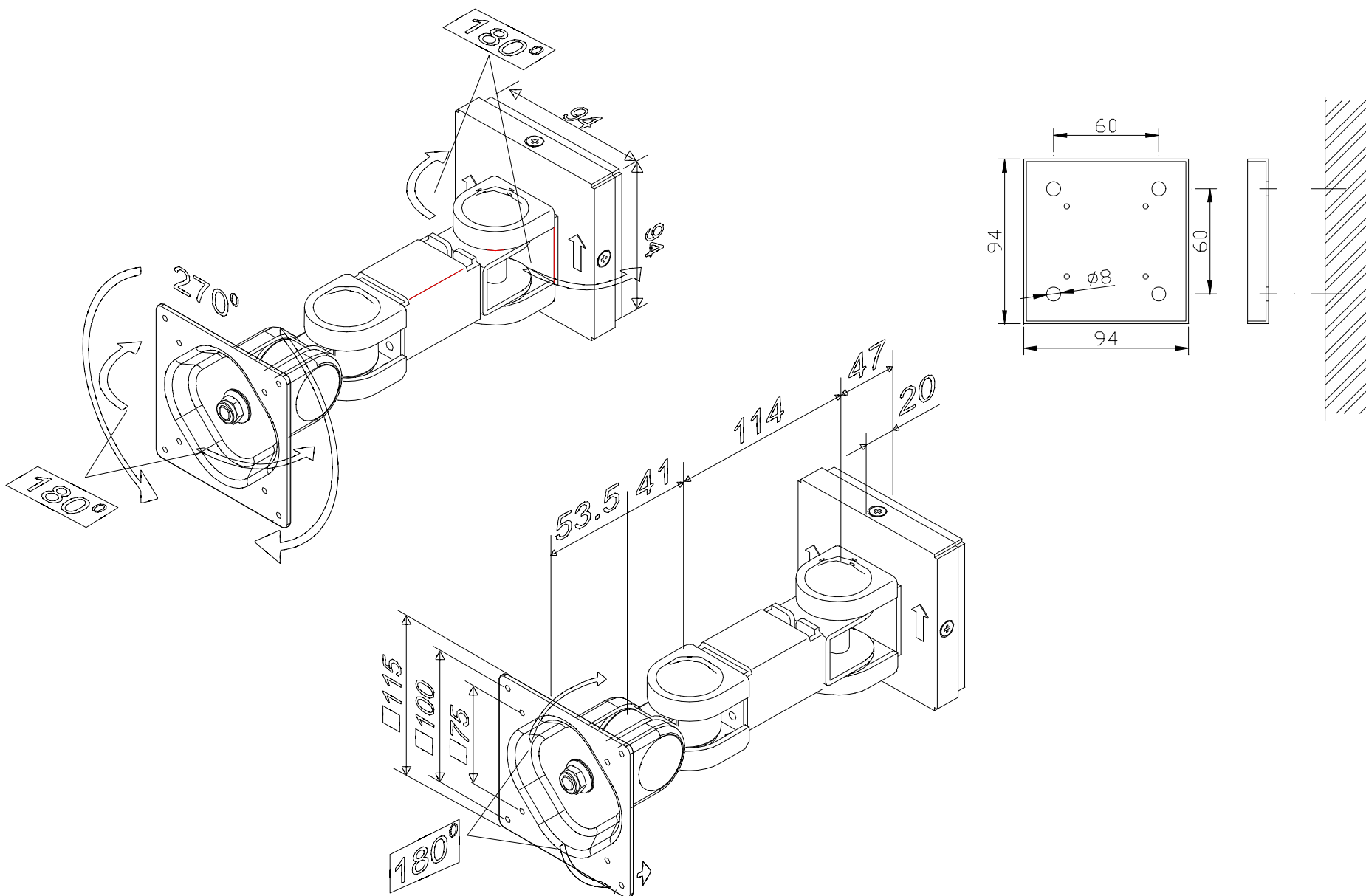


**DATA-INFO**

**# 51.463**

Dataflex®  
is a registered  
trademark of  
DATAFLEX  
INTERNATIONAL BV  
P.O. Box 713  
NL-2920 CA  
Krimpen a/d IJssel



All dimensions in mm - Dimensions en mm - Abmessungen in mm - Alle afmetingen in mm